

VISUBAT Battery Test Set

by **COTEL**

- Internal Impedance measurement
- Accurate
- User friendly
- Used without disconnecting the batteries
- Two cable connection
- Cell voltage measurement
- Sealed & unsealed batteries



The Cotel **VISUBAT** combines ruggedness and ease of use with advanced digital techniques to offer—

Reliability—

The measurement current and the coupling are microprocessor controlled

Security—

For use without disconnection so that the back-up function of the battery is not interrupted. There is no sampling of the electrolyte, the density measurement is replaced by an electrical measurement.

Simplicity—

Only two cables are required for coupling and one measurement probe to be placed on each cell. **VISUBAT** manages all the coupling and decoupling procedures to the battery

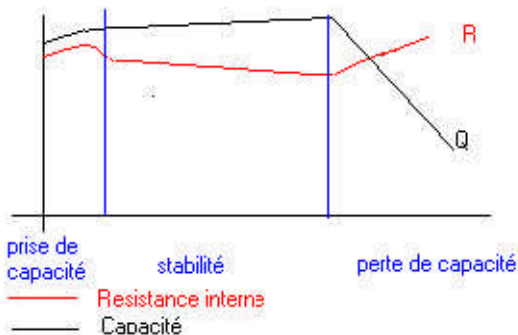
Adaptability—

The Windows compatible software takes care of the data acquisition, presentation and management.

APPLICATION

The internal resistance of a Lead-Acid battery depends on the electrolyte density; the temperature and the mass of active material.

Measuring the evolution of this resistance over time enables us to verify the good state of the battery and program its replacement at the optimum moment.



Advanced Technology Marketing Services—26, High Street, HASLEMERE GU27 2HW

Tel - 07717763510 E-mail—sales@advantechms.com

www.advantechms.com

Exclusive U.K. Service Organisation for COTEL products — **Norwich Instrument Services Ltd.** Tel 01603416900

Housing

Aluminium bench case with carrying handle

Dim. 410 x 302 x 158 mm. Wt. 8 kg

Technical Characteristics

Supply 230 VAC \pm 10% 50 Hz + earth

Consumption 230 VA

Measurements

All these measurements are archived by the software

Impedance

0.000 to 0.999 m Ω

1.00 to 9.99 m Ω

10.0 to 90.0 m Ω

Cell voltages

0.00 to 18.00 Vdc

Accuracy 1%

Overall battery voltage

0.6 to 250 Vdc

Accuracy 1%

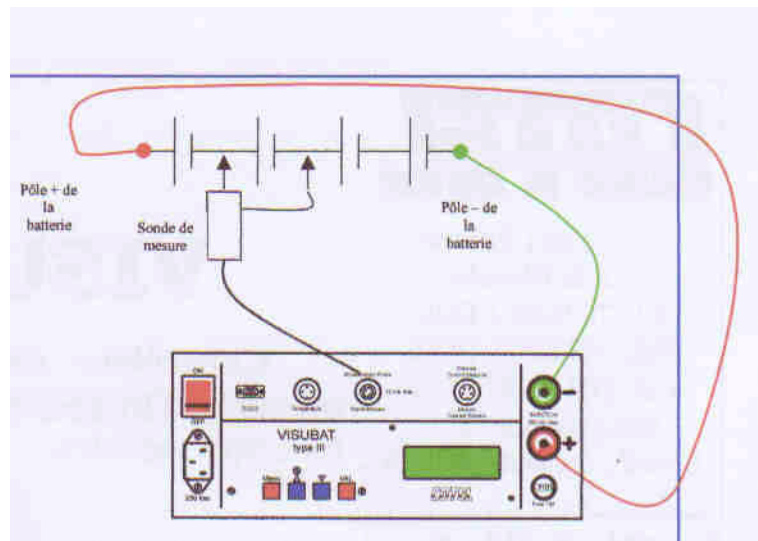
Temperature

Operating **0 to 40°C** Storage **0 to 50°C**

Optional external current clamp for measuring the current in any cells connected in parallel.

Main functions of the Software

- Creation of a battery file
- Preparation of a measurement program
- Acquisition and automatic archiving of the measurements
- Measurement display in 2D/3D: Digital and graphical measurement points (trend of cell or complete battery)
- Alarm setting
- Preparation of measurement report
- One Access format file holds all the database



Measurement Principle—The impedance is measured by the capacitive coupling of an alternating current source to the battery, followed by measurement of the alternating voltage across the probes.

Memory Capacity

- 100 batteries with 27 cells or 48 with 60 cells
- During the test and result display, the instrument displays the time, operators name, battery code and cell number.

Batterie CHATO BOUDEYRE
Mesures du relevé du 25/04/00 10h28 effectué par ZE CHATEAUNEUF
Température: 0°C
Tension globale calculée: 50,5 V

Elément	Z interne (en milliohm)	U floating (en Volt)
1	0,795	2,2
2	0,778	2,2
3	0,8	2,18
4	0,765	2,18
5	0,786	2,18
6	0,792	2,2
7	0,774	2,22
8	0,773	2,18
9	0,788	2,2
10	0,78	2,2
11	0,814	2,2
12	0,895	2,2
13	0,762	2,2
14	0,757	2,2

